

PRICE[®]

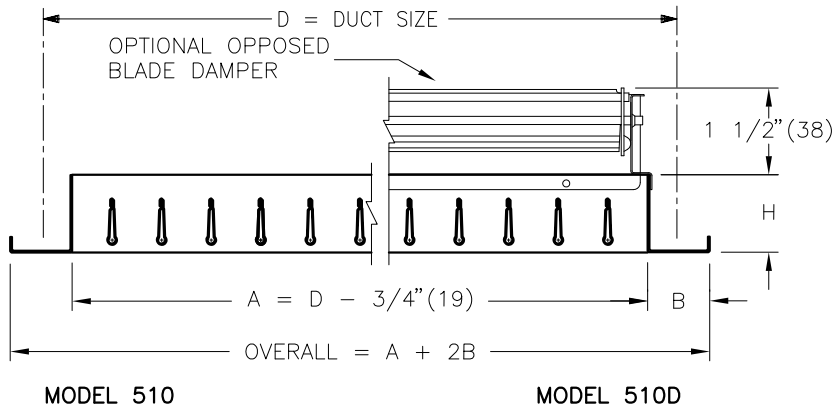
SUBMITTAL DRAWING



TMS JOHNSON
Trusted Partner • Reliable Solutions

TMS Johnson, Inc. | 763-544-5442 | www.tmsj.com
Twin Cities: 2908 Nevada Ave N, New Hope, MN 55427
Rochester: 3270 19th St NW, Suite 210, Rochester, MN 55901

500 SUPPLY GRILLES & REGISTERS



MATERIAL:

- STEEL CONSTRUCTION

FINISH:

- B12 WHITE
(OPTIONAL FINISHES AVAILABLE)

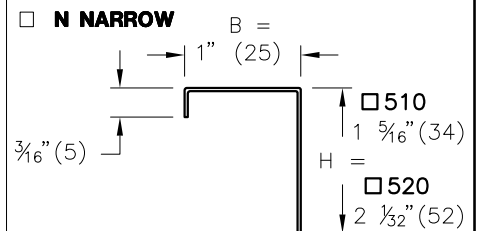
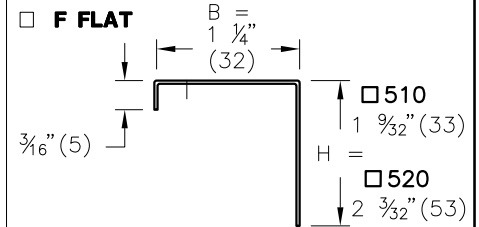
OPTION:

- C/W COATED STEEL OPPOSED BLADE DAMPER (SPECIFY 510D OR 520D)
- IS - INSECT SCREEN, 18/16 MESH (NOT RECOMMENDED WITH OPTIONAL OPPOSED BLADE DAMPER)

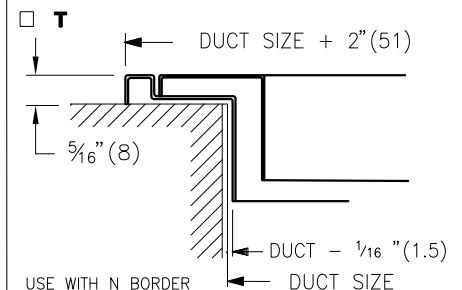
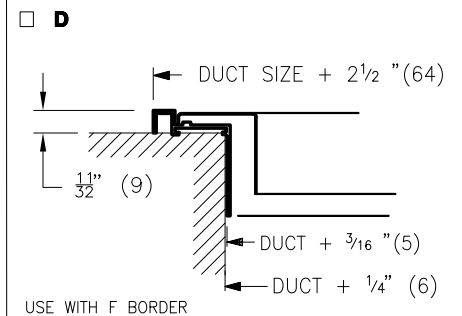
NOTE:

- STANDARD CONSTRUCTION WITH A MULLION: A MULLION IS PROVIDED WHEN NOMINAL SIZE GRILLE DIMENSIONS EXCEED 24" (610) FOR UNEVEN NOMINAL SIZE GRILLE DIMENSIONS EG. 45X6, THE MULLION IS POSITIONED 1/2" (12) FROM THE CENTRE OF THE GRILLE.
- INDIVIDUALLY ADJUSTABLE BLADES
- TYPE A FASTENING - COUNTERSUNK SCREWHOLE FOR NO.8 S.M.S. PER FACTORY STANDARD (SCREWS SUPPLIED)
- AVAILABLE SIZES :
MIN. - 6" X 4" (152 X 102)
MAX. - 48" X 48" (1219 X 1219)
(ONE PIECE CONSTRUCTION)
- OVERSIZE UNITS AVAILABLE C/W NARROW FLANGE OR DUCT CHANNEL
- BLADE ORIENTATION - FRONT SET
- L = PARALLEL TO LONG DIMENSION
- S = PARALLEL TO SHORT DIMENSION

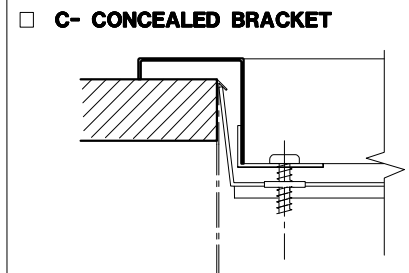
BORDERS:



MOUNTING FRAMES:

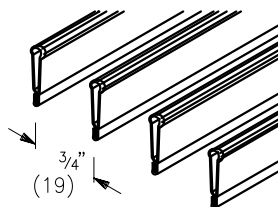


FASTENING:

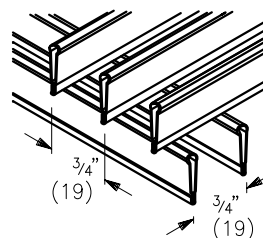


CORE STYLES:

- 510/L
- 510/S



- 520/L
- 520/S



ALL METRIC DIMENSIONS () ARE SOFT CONVERTED. IMPERIAL DIMENSIONS ARE CONVERTED TO METRIC AND ROUNDED TO THE NEAREST MILLIMETER.

PROJECT:

ENGINEER:

CUSTOMER:

SUBMITTAL DATE:

SPEC. SYMBOL:



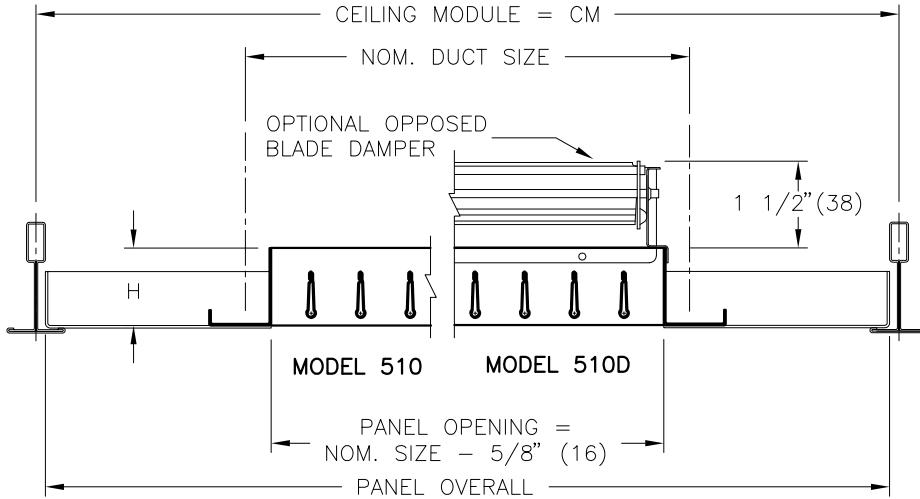
RV

219693

2012/03/28

510/520
STEEL SUPPLY
GRILLES & REGISTERS

500 SERIES PANEL MOUNTED SUPPLY AIR GRILLES



MATERIAL:

- GRILLE: STEEL CONSTRUCTION
- PANEL: STEEL CONSTRUCTION

FINISH:

- B12 WHITE
- (OPTIONAL FINISHES AVAILABLE)

OPTION:

- C/W COATED STEEL OPPOSED BLADE DAMPER (SPECIFY 510D OR 520D)

NOTES:

- MODULE SIZE AND NOM. GRILLE SIZE MUST BE SPECIFIED

DIMENSIONING SCHEDULE

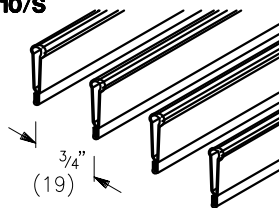
	H
510	1 9/32" (33)
520	2 3/32" (53)

NOMINAL MODULE SIZES	MAXIMUM GRILLE SIZES
12" x 12" - 300mm x 300mm	8" x 8"
24" x 12" - 600mm x 300mm	20" x 8"
24" x 24" - 600mm x 600mm	20" x 20"
48" x 24" - 1200mm x 600mm	44" x 20"

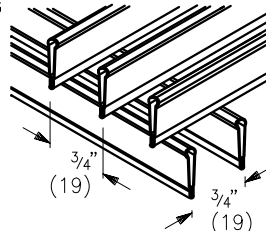
- FACTORY TOLERANCE $\pm 1/32$ " (1)

CORE STYLES:

- 510/L
- 510/S



- 520/L
- 520/S



ALL METRIC DIMENSIONS () ARE SOFT CONVERTED. IMPERIAL DIMENSIONS ARE CONVERTED TO METRIC AND ROUNDED TO THE NEAREST MILLIMETER.

3P T-BAR

916P T-BAR

17P FINELINE T-BAR

PROJECT:

ENGINEER:

CUSTOMER:

SUBMITTAL DATE:

SPEC. SYMBOL:



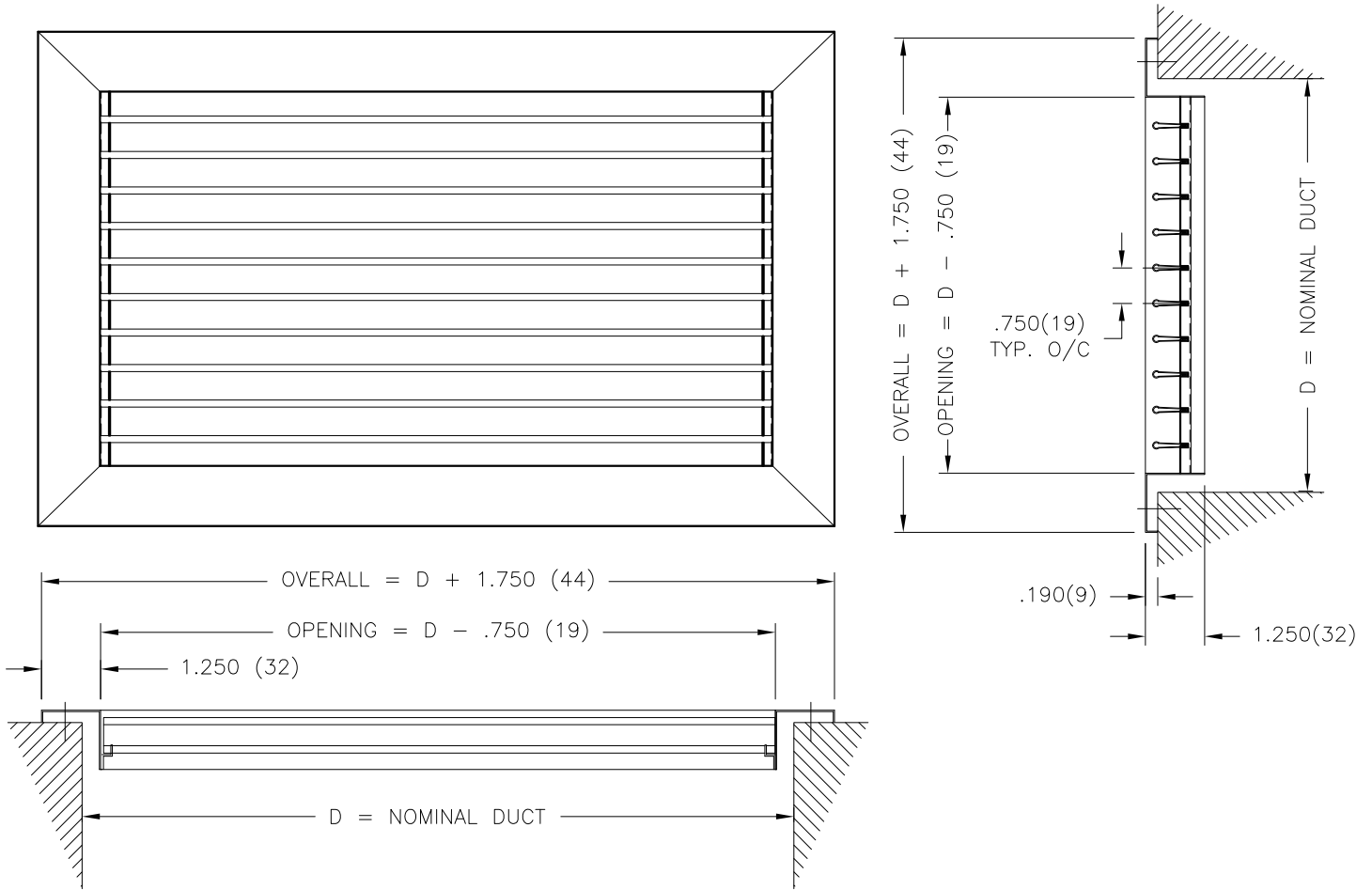
RV

219693

2012/03/28

510/520
STEEL SUPPLY
GRILLES & REGISTERS

510Z RETURN AIR GRILLE ZERO° DEFLECTION



MATERIAL:

- STEEL CONSTRUCTION

FINISH:

- B12 WHITE
(OPTIONAL FINISHES AVAILABLE)

NOTES:

- STANDARD BLADE MULLION NOT TO EXCEED 24(609) O/C. MAX.
- TYPE A COUNTERSUNK SCREW MOUNTING WITH #8-S.M.S. - PER FACTORY STANDARD
- FOR ALTERNATE FASTENING & MOUNTING FRAME OPTIONS - REFER TO GENERAL SUPPLY GRILLE SUBMITTAL
- BLADES FIXED AT 0° DEFLECTION.
- 510Z/F/L TYPE SHOWN ABOVE
- MINIMUM - 6 x 4 (152 x 102)
- MAXIMUM - 36 x 36 (914 x 914)
- FACTORY TOLERANCE ± 1/32 (1)

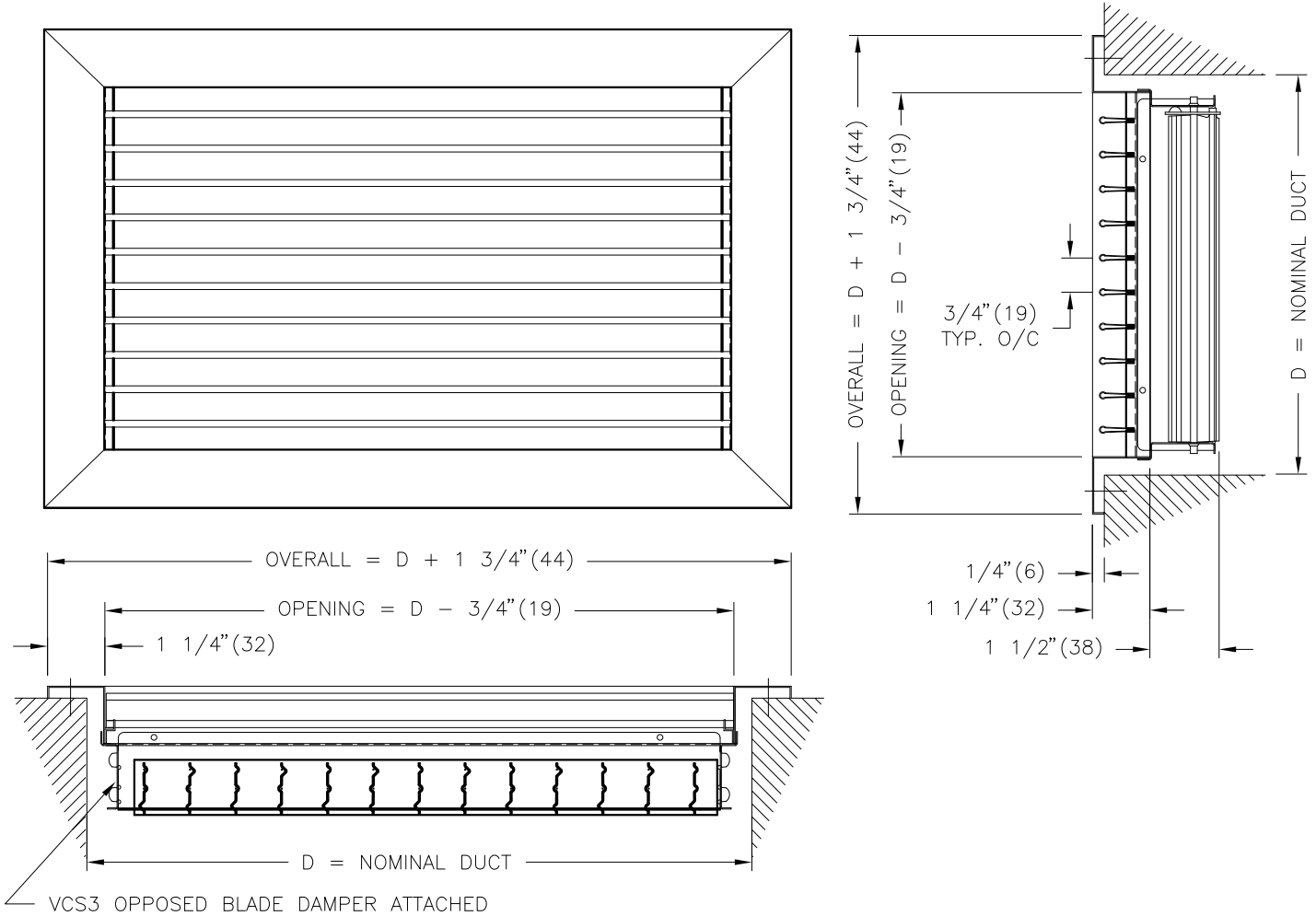
OPTIONS:

- 510Z/F/L - BLADES PARALLEL TO LONG DIMENSION
- 510Z/F/S - BLADES PARALLEL TO SHORT DIMENSION
- IS - INSECT SCREEN, 18/16 MESH

ALL METRIC DIMENSIONS () ARE SOFT CONVERTED. IMPERIAL DIMENSIONS ARE CONVERTED TO METRIC AND ROUNDED TO THE NEAREST MILLIMETER.

PROJECT:		PRICE [®]	
ENGINEER:		 227321	510Z STEEL RETURN AIR GRILLE ZERO° DEFLECTION
CUSTOMER:			
SUBMITTAL DATE:	SPEC. SYMBOL:	SEP 2012	

510ZD RETURN AIR REGISTER



MATERIAL:

- GRILLE – STEEL CONSTRUCTION
- VCS3 – COATED STEEL OPPOSED BLADE DAMPER

FINISH:

- B12 WHITE (OPTIONAL FINISHES AVAILABLE)


NOTES:

- STANDARD BLADE MULLION NOT TO EXCEED 24" (610) O/C MAX.
- TYPE A COUNTERSUNK SCREW MOUNTING WITH #8 S.M.S. – PER FACTORY STANDARD
- FOR ALTERNATE FASTENING & MOUNTING FRAME OPTIONS – REFER TO GENERAL SUPPLY GRILLE SUBMITTAL
- 510ZD/F/L TYPE SHOWN ABOVE
- MINIMUM – 6" x 4" (152 x 102)
- MAXIMUM – 36" x 36" (914 x 914)
- FACTORY TOLERANCE ± 1/32 (1)

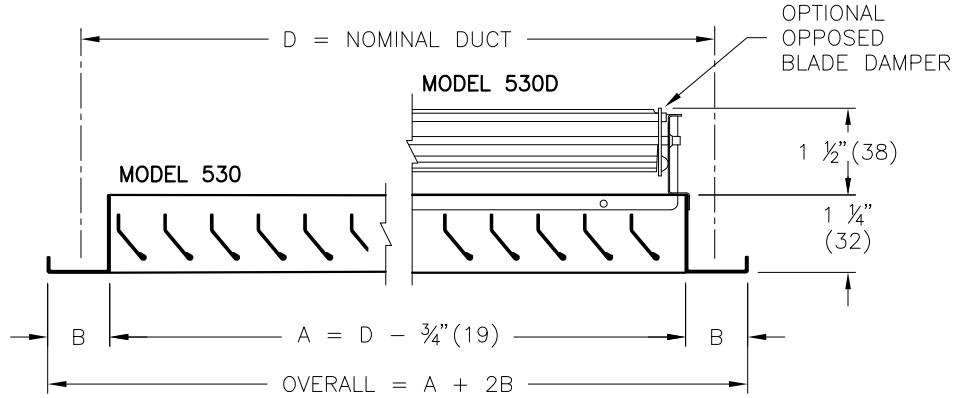
OPTIONS:

- 510ZD/F/L – BLADES PARALLEL TO LONG DIMENSION
- 510ZD/F/S – BLADES PARALLEL TO SHORT DIMENSION

ALL METRIC DIMENSIONS () ARE SOFT CONVERTED. IMPERIAL DIMENSIONS ARE CONVERTED TO METRIC AND ROUNDED TO THE NEAREST MILLIMETER.

PROJECT:		PRICE [®]	
ENGINEER:		 227347	510ZD STEEL RETURN AIR REGISTER ZERO° DEFLECTION
CUSTOMER:			
SUBMITTAL DATE:	SPEC. SYMBOL:	SEPT. 2012	

500 RETURN GRILLES & REGISTERS



MATERIAL:

- STEEL CONSTRUCTION

FINISH:

- B12 WHITE (OPTIONAL FINISHES AVAILABLE)

OPTION:

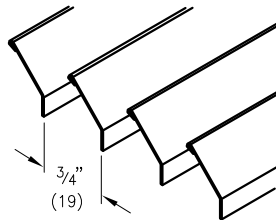
- C/W COATED STEEL OPPOSED BLADE DAMPER (SPECIFY 530D OR 535D)
- IS - INSECT SCREEN, 18/16 MESH (NOT AVAILABLE WITH OPTIONAL OPPOSED BLADE DAMPER)

NOTE:

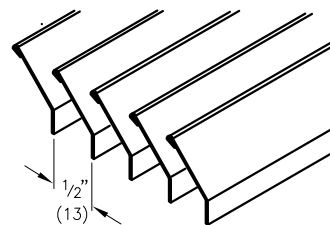
- TYPE A FASTENING - COUNTERSUNK SCREWHOLES FOR NO.8 S.M.S. PER FACTORY STANDARD (SCREWS SUPPLIED)
- TYPE C FASTENING - CONCEALED FASTENING (N/A WITH 535)
- AVAILABLE SIZES :
MIN. - 6" X 4" (152 X 102)
MAX. - 48" X 48" (1219 X 1219)
(ONE PIECE CONSTRUCTION)
- OVERSIZE UNITS AVAILABLE C/W DUCT MOUNTING CHANNEL
- BLADE ORIENTATION - FRONT SET
- L = PARALLEL TO LONG DIMENSION
- S = PARALLEL TO SHORT DIMENSION

CORE STYLES:

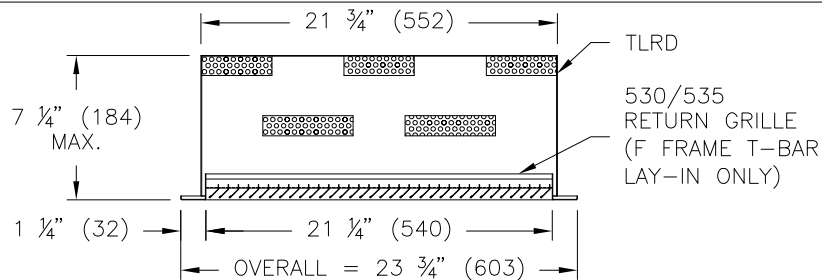
530



535



**TLRD OPTION (ORDERED AS SPECIAL)
(NOM. DUCT SIZE 22" X 22" ONLY)**



ALL METRIC DIMENSIONS () ARE SOFT CONVERTED. IMPERIAL DIMENSIONS ARE CONVERTED TO METRIC AND ROUNDED TO THE NEAREST MILLIMETER.

PROJECT:



ENGINEER:

MG

530/535

CUSTOMER:

219695

STEEL RETURN GRILLES & REGISTERS

SUBMITTAL DATE:

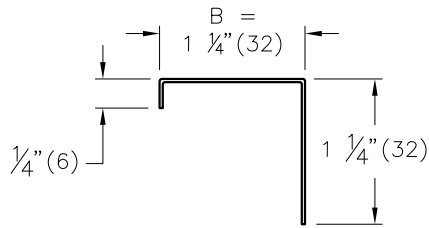
SPEC. SYMBOL:

2014/05/23

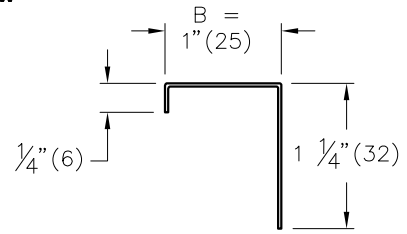
500 RETURN GRILLES & REGISTERS MOUNTING OPTION AND BORDERS

BORDERS:

F FLAT

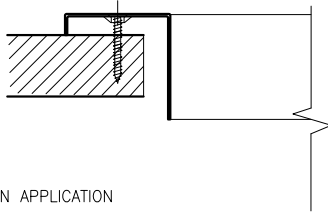


N NARROW

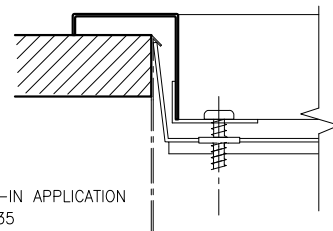


FASTENING:

A- COUNTER SUNK SCREW

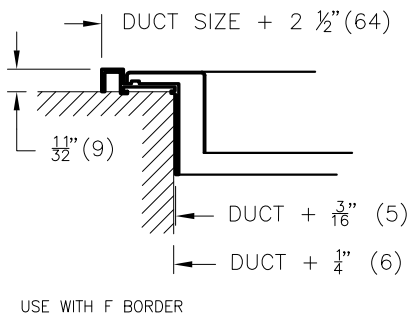


C- CONCEALED BRACKET

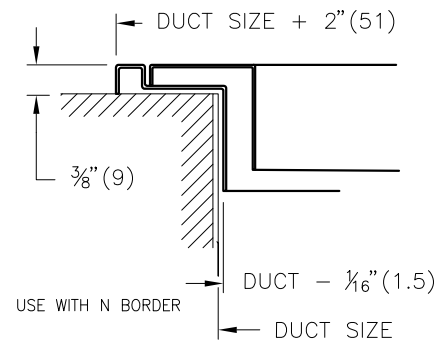


MOUNTING FRAMES:

D



T



ALL METRIC DIMENSIONS () ARE SOFT CONVERTED. IMPERIAL DIMENSIONS ARE CONVERTED TO METRIC AND ROUNDED TO THE NEAREST MILLIMETER.

PROJECT:



ENGINEER:

MG

530/535

CUSTOMER:

219695

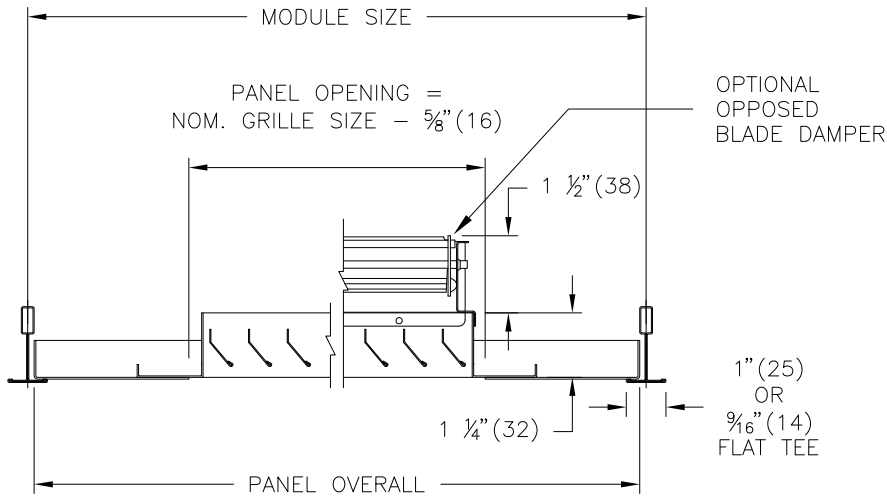
STEEL RETURN
GRILLES & REGISTERS

SUBMITTAL DATE:

SPEC. SYMBOL:

2014/05/23

500 SERIES PANEL MOUNTED RETURN AIR GRILLE



MATERIAL:

- GRILLE: STEEL CONSTRUCTION
- PANEL: STEEL CONSTRUCTION

FINISH:

- FINISH OF PANEL TO MATCH GRILLE FINISH
- B12 WHITE (OPTIONAL FINISHES AVAILABLE)

OPTION:

- 530D OR 535D c/w COATED STEEL OPPOSED BLADE DAMPER

NOTES:

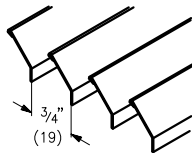
- MODULE SIZE AND NOM. GRILLE SIZE MUST BE SPECIFIED

NOMINAL MODULE SIZES	MAXIMUM GRILLE SIZES
12" x 12" - 300mm x 300mm	8" x 8"
24" x 12" - 600mm x 300mm	20" x 8"
24" x 24" - 600mm x 600mm	20" x 20"
48" x 24" - 1200mm x 600mm	44" x 20"

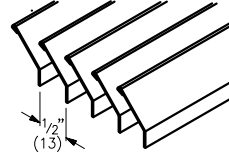
- FACTORY TOLERANCE $\pm 1/32$ " (1)

CORE STYLES:

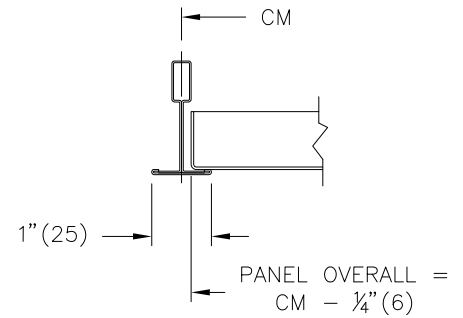
530



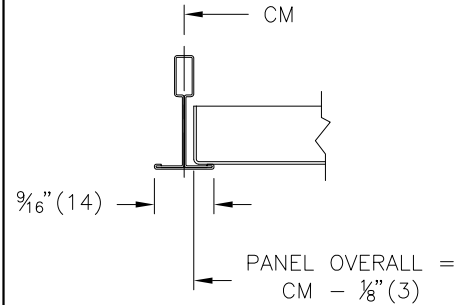
535



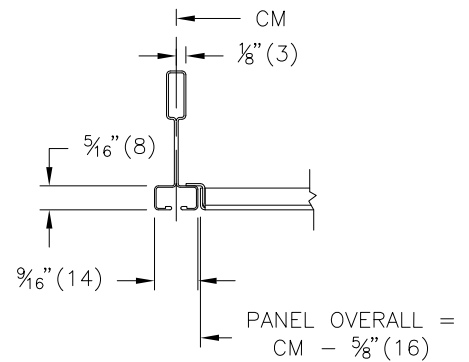
3P T-BAR



916P T-BAR



17P FINELINE T-BAR



ALL METRIC DIMENSIONS () ARE SOFT CONVERTED. IMPERIAL DIMENSIONS ARE CONVERTED TO METRIC AND ROUNDED TO THE NEAREST MILLIMETER.

PROJECT:



ENGINEER:

MQ

CUSTOMER:

219695

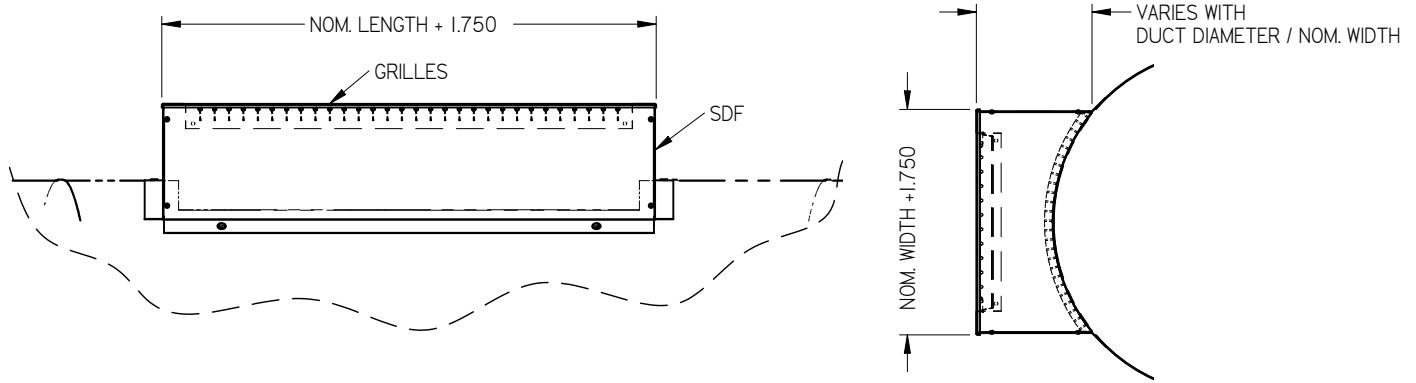
SUBMITTAL DATE:

SPEC. SYMBOL:

2014/05/23

530/535
STEEL RETURN
GRILLES & REGISTERS

SDF SPIRAL DUCT FRAME FOR 500, 600 SERIES



NOM. SIZE (WIDTH)	NOM. DUCT DIAMETER																	
	10	12	14	16	18	20	22	24	26	28	30	32	34	36	38	40	42	48
4	●	●	●	●	●	●	●	●	●	●	●	●	●	●	●	●		
5	●	●	●	●	●	●	●	●	●	●	●	●	●	●	●	●		
6	●	●	●	●	●	●	●	●	●	●	●	●	●	●	●	●		
7	●	●	●	●	●	●	●	●	●	●	●	●	●	●	●	●		
8	●	●	●	●	●	●	●	●	●	●	●	●	●	●	●	●		
9		●	●	●	●	●	●	●	●	●	●	●	●	●	●	●		
10			●	●	●	●	●	●	●	●	●	●	●	●	●	●		
11			●	●	●	●	●	●	●	●	●	●	●	●	●	●		
12				●	●	●	●	●	●	●	●	●	●	●	●	●	●	●
13					●	●	●	●	●	●	●	●	●	●	●	●	●	●
14						●	●	●	●	●	●	●	●	●	●	●	●	●
15							●	●	●	●	●	●	●	●	●	●	●	●
16								●	●	●	●	●	●	●	●	●	●	●

MATERIAL:

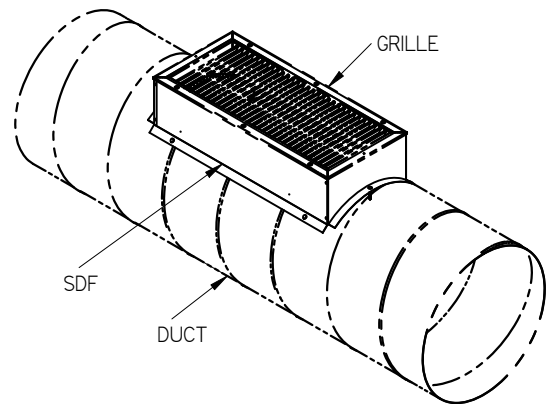
- GV GALVANIZED STEEL

FINISH:


- MILL FINISH

NOTES:

- INTENDED FOR USE IN SPIRAL OR ROUND DUCT APPLICATIONS
- AVAILABLE SIZES:
MIN. - 6" X 4" (152 X 102)
- MAX. - 36" X 16" (914 X 406)
- AVAILABLE SIZE IN 1" INCREMENTS
- OPEN CELL FOAM INSULATION PROVIDES A TIGHT SEAL AROUND THE GRILLE OPENING IN ANY ROUND DUCT
- FITS 500, 600 SERIES GRILLES WITH "F" FRAME.
- FACTORY TOLERANCE +/- 1/32" (1)



ALL METRIC DIMENSIONS () ARE SOFT CONVERTED. IMPERIAL DIMENSIONS ARE CONVERTED TO METRIC AND ROUNDED TO THE NEAREST MILLIMETER.

PROJECT:		PRICE
ENGINEER:		
CUSTOMER:		
SUBMITTAL DATE:		252819
SPEC. SYMBOL:		SDF SPIRAL DUCT FRAME FOR 500, 600 SERIES
		2009/07/17